

Data Sheet

PTA5000

Hermetically Sealed Modular Pressure Sensor



Main Features

Pressure Ranges	0 to 100 up to 0 to 10.000 PSI (gage)
Electrical Connection	Packard Electric Metri-Pack 150 Series, M12 - 4 Pole*
Pressure Connection	1/4 - 18 NPT
Housing Material	304 Stainless Steel (1.4301)
Output Signal	4 - 20 mA, 0.5 - 4.5 VDC, 0 - 5 VDC, 0 - 10 VDC

* for more options see How to Order

Attributes

- Hermetically Sealed
- Rugged & Durable
- Compact & Light-weight
- Resistant to Chemical Attack
- Superior Long-Term Stability & Repeatability
- Outstanding Shock & Vibration Performance

Typical Applications

- Compressors
- Hydraulic Systems
- Agricultural Equipment
- Construction Equipment
- Heat Pumps
- Wind Energy
- HVAC Systems
- Chemical Industry

Description

The PTE5000 utilizes Kavlico's thin film strain gauge sensing technology, incorporating an hermetically sealed design with no internal sealing required. Designed for harsh environments, a rugged 304 stainless steel housing surrounds the PTE5000 transducer.

The PTE5000's small, compact design as well as its low overall weight makes it ideal for applications with spacing and weight limitations. This easy-to-use sensor is media resistant, which allows it to be used for a broad range of liquid and gaseous media. It can be used at high operating temperatures and has internal temperature compensation. Highly reliable, the PTE5000 provides accurate, high pressure measurements every time.

Technical Specifications

Pressure Ranges

from 0 to ...	PSI (gage)	100	150	200	300	600	1000	2000	3000	6000	9000	10000
Proof pressure	PSI (gage)	175	290	465	725	1160	1740	4640	5540	8700	13050	13050
Burst pressure	PSI (gage)	1000	1500	2000	2400	4800	6000	12000	12000	24000	36000	40000

Physical

Operating Life Cycle	min. 10 million full pressure cycles over the full range
Vibration Resistance	IEC 60068-2-64 (RANDOM) 20 PSD
Shock Resistance	25 g minimum according to DIN EN 60068-2-27
Drop Test	1 meter drop on concrete as per SAE J1455 / DIN EN 60068-2-3-1
Weight	≤ 50 grams (without mating connector)
Ingress Protection	IP 65 or IP67 - depending on electrical connector
Medium Temperature	-30°C to + 120°C (others on request)
Environmental Temperature	-30°C to + 100°C (dep. on electrical connector & external seal ring capability) *4
Storage Temperature	-30°C to + 100°C (dep. on electrical connector & external seal ring capability) *4
Media	All class II fluids and gases compatible with stainless steel 304 (1.4301)

*4 For more details see How to Order

Performance

Accuracy *1	≤ 0.5 % of span *3
Non-linearity *2	0.2 % of span *3
Non-repeatability	0.1 % of span *3
1-year stability	0.2 % of span *3
Temp. Coefficients - Zero	0.2 % of span / 10 K within temperature range 0°C to + 80°C.2 %
Temp. Coefficients - Span	0.2 % of span / 10 K within temperature range 0°C to + 80°C.2 %

*1 Including non-linearity, hysteresis, non-repeatability, zero point and full scale error (corresponds to error of measurement per IEC 61298-2). Adjusted in vertical mounting position with pressure port down.

*2 BFSL according to IEC 61298-2 reference conditions to EN 61298-1

*3 Others on request

Electrical

Output Signal	4...20 mA	0.5...4.5 VDC ratiometric	0...10 VDC
Operating Supply Signal	8-30 VDC	5 VDC ± 5%	14-30 VDC
Power Consumption	≤ 600 mW	≤ 25 mW	≤ 600 mW
Overvoltage Protection	min. 33 VDC	min. 6 VDC	min. 33 VDC
Short-circuit Proofness	not applicable	Yes *5	Yes *5
Insulation Voltage	500 VDC	500 VDC	500 VDC
Reverse Polarity Protection	Yes *6	Yes *6	Yes *6
Load	≤ (Vsup-8 VDC)/(0.02 A) [Ω]	≥ 4.7 kΩ	≥ 4.7 kΩ
Response Time	≤ 5 ms max. to 63% of full scale pressure with step change on input		

*5 for min. 3 intervals at 5 minutes each

*6 for min. 10 seconds on assigned pins

Approvals & Certificates

CE Compliance	Pressure equipment directive 97/23/EC EMC directive 2004/108/EEC, EN 61 326 Emission (Group 1, Class B) and Immunity (industrial locations), EMI, ESD protected
UL	Standard(s) for Safety: Electrical Equipment for Measurement, Control and Laboratory Use - UL 61010-1
ROHS	2011/65/EU ROHS Directive

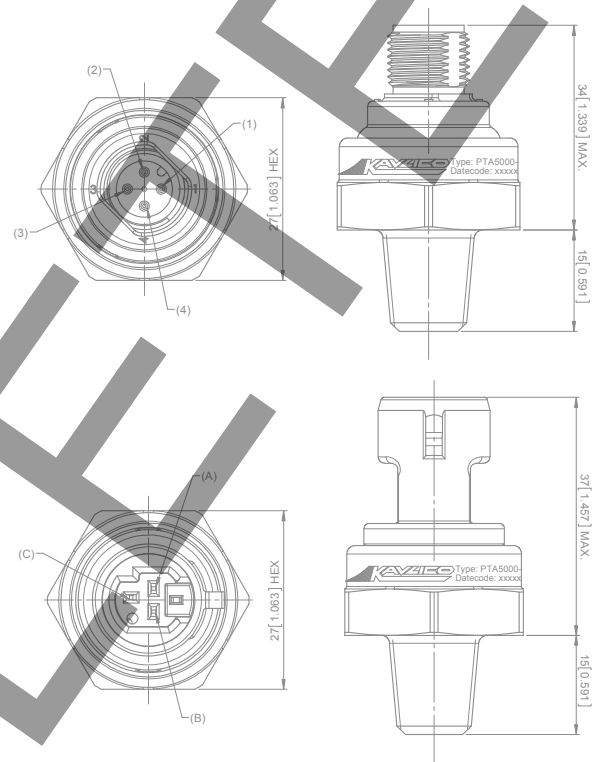
Dimensions

Pressure Sensor with Electrical Connection

Dimensions in mm [Inch]

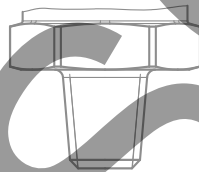
M12 Pin Call Outs				
Output	Pin 1	Pin 2	Pin 3	Pin 4
4-20 mA	Vsup	...	Iout	...
0.5-4.5 VDC ratiometric	Vsup	...	Vout	GND
0-10 VDC	Vsup	...	Vout	GND

Packard (metri-pack 150) Pin Call Outs			
Output	Pin 1	Pin 2	Pin 3
4-20 mA	Iout	Vsup	...
0.5-4.5 VDC ratiometric	GND	Vsup	Vout
0-10 VDC	GND	Vsup	Vout



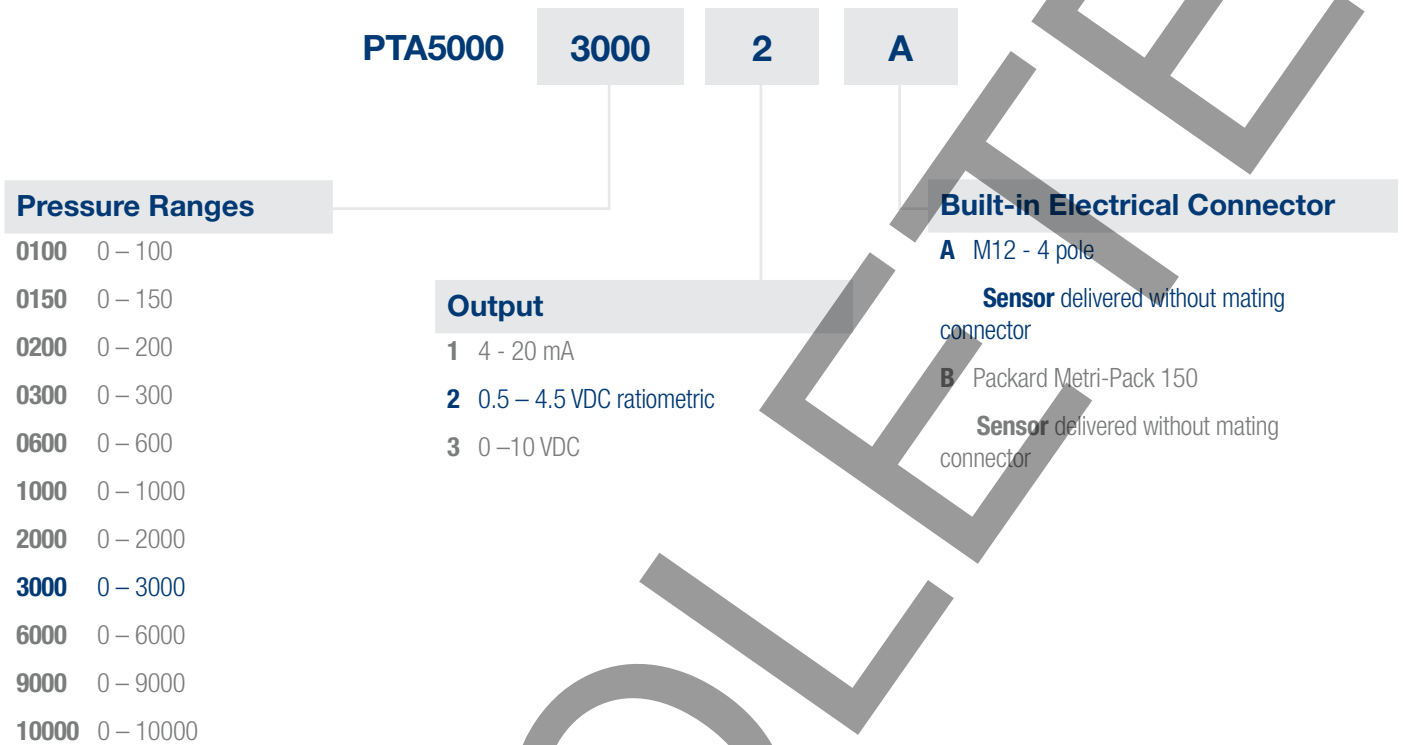
Pressure Connections and Recommended Installation Torque

Dimensions in mm [Inch]



Name	1/4-18 NPT
Thread	External
Torque	20 Nm

How to Order



Example:

PTA5000 - 3000 - 2 - A

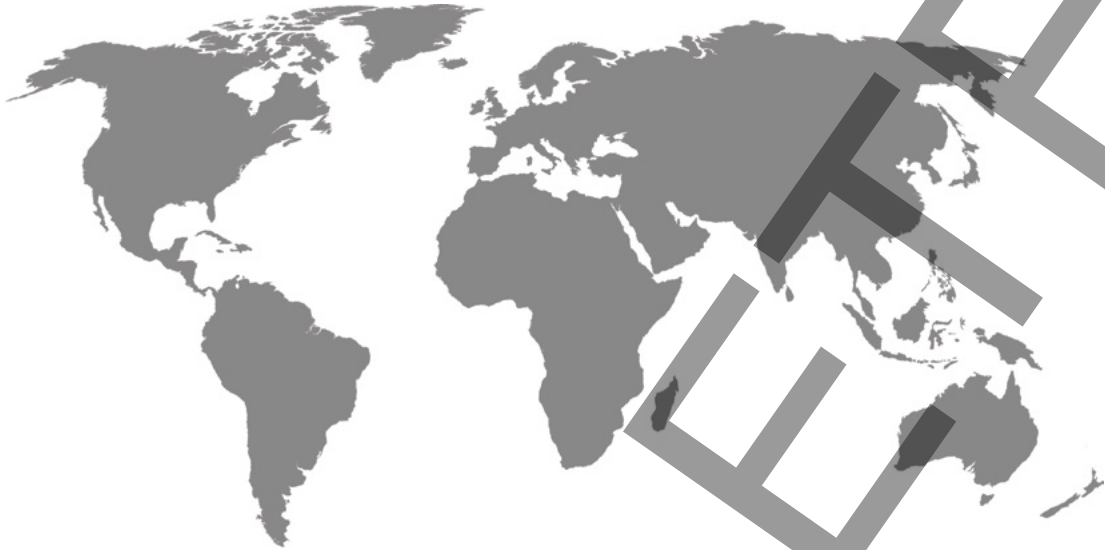
Description:

PTA5000 Sensor, 0 - 3000 PSI Absolute, 0.5 - 4.5 VDC Ratiometric Electrical Output, with Built-in M12 - 4 Pole Connector, 1/4 - 18 NPT Pressure Connection



Before installation and operation, ensure that the appropriate pressure sensor has been selected in terms of pressure range, design and specific measuring conditions. Non-compliance can result in serious injury and/or damage to the equipment.

Warning: The product information contained in this catalogue is given purely as information and does not constitute a representation, warranty or any form of contractual commitment. Kavlico reserve the right to modify their products without notice. It is imperative that we should be consulted over any particular use or application of our products and it is the responsibility of the buyer to establish, particularly through all the appropriate tests, that the product is suitable for the use or application. Under no circumstances will our warranty apply, nor shall we be held responsible for any application (such as any modification, addition, deletion, use in conjunction with other electrical or electronic components, circuits or assemblies, or any other unsuitable material or substance) which has not been expressly agreed by us prior to the sale of our products.



Sales Offices Worldwide

Americas

Brazil
Mexico
USA

Europe

England
France
Germany
Italy
Netherlands
Spain
Sweden
Russia

Asia Pacific

China
India
Japan
South Korea

Main Contact

Sensata Germany GmbH
Potsdamer Strasse 14,
32423 Minden
Tel: +49 571 3859-0
Fax: +49 571 3859-119
www.kavlico.com
www.sensata.com

Your local sales contact: